

# H84C-8MBU

## HIGH PERFORMANCE MAXIBOLT PULLING HEAD, FOR -8 DIAMETER “U” TYPE MAXIBOLTS® (BLINDBOLTS)

Technical Data Sheet, Page 1 of 2

**DIMENSIONAL DATA** (all measurements in Inches, see figure 1)

Pulling Head Weight: 0.2 Lbs (0.09 kg)

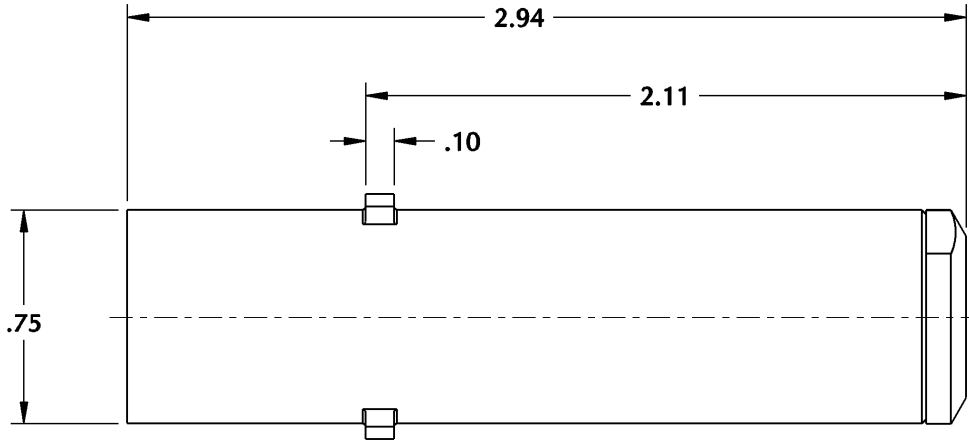


Figure 1

### CHOICE OF RIVETERS

- The H84C-8MBU is to be used with:
  - **G84** Power Riveter
  - **G84-LS** Split Power Riveter (with adaptor 744-700)

### MOUNTING INSTRUCTIONS

- Attach riveter to air source for correct piston positioning.
- Thread Collet Assembly securely onto the riveter head piston.
- Depress the trigger and attach the sleeve assembly onto the bayonet mount.

### USAGE

- This tool is designed to install -8 Dia “S” Type Maxibolts® (Blind Bolts).  
For “U” type use with 652-106 nose piece.

### BEFORE USE, MAKE SURE THAT:

- The correct pulling head and nose piece are used, properly mounted on the recommended riveter.
- Proper air source is connected (see riveter specification for recommended pressure).
- Make sure that the tool is clean and the Nose Piece active area is in good working condition

### DURING OPERATION

- Inspect the active area of the nose piece regularly.
- Keep the tool clean, especially the nose piece and jaws; especially when sealants are used.
- If stem slippage occurs, the jaws need to be either cleaned or replaced.



**CHERRY®**  
**AEROSPACE**  
SPS Fastener Division, a PCC Company

1224 East Warner Ave,  
Santa Ana, CA 92705  
Tel: 1-714-850-6022  
www.cherryaerospace.com

# H84C-8MBU

## HIGH PERFORMANCE MAXIBOLT PULLING HEAD, FOR -8 DIAMETER “U” TYPE MAXIBOLTS® (BLINDBOLTS)

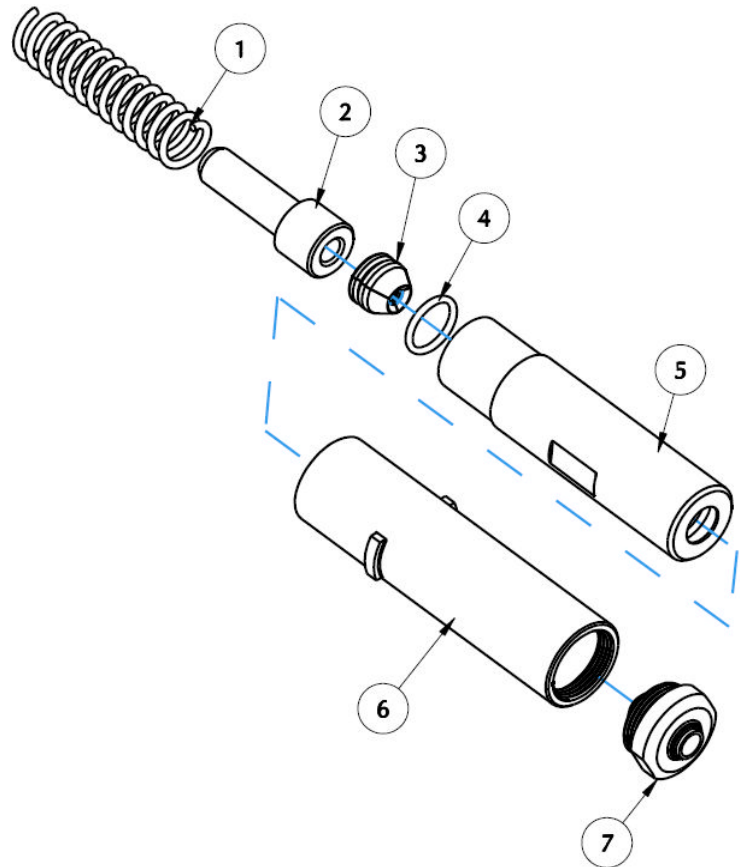
Technical Data Sheet, Page 2 of 2

### PREVENTATIVE MAINTENANCE

- Clean the nose piece, jaw set and collet every 1,000 installations, or when failures occurs.
- Lubricate outside configuration of the jaw set with Lubriplate® or similar light lubricant.
- Inspect regularly and keep the active area clean and in good working condition.
- Replace worn or broken components.

### PARTS LIST

7	652-106	-8 U TYPE NOSEPIECE	1
6	652-060	SLEEVE	1
5	652-101	COLLET	1
4	513-057	O-RING	1
3	652-102	JAW SET	1
2	652-042	JAW FOLLOWER	1
1	P-1455	COMPRESSION SPRING	1
ITEM No.	PART NUMBER	DESCRIPTION	QTY. PER ASSY.



### GENERAL / TECHNICAL QUESTIONS

1224 E. Warner Avenue  
Santa Ana, CA 92705 USA  
1-714-850-6022 (Phone)  
1-714-850-6093 (Fax)

**LOCTITE®** is a registered trademark of Henkel Corporation.

**LUBRIPLATE®** is a registered trademark of Fiske Brothers Refining Co.

### WARRANTY

Seller warrants the goods conform to applicable specifications and drawings and will be manufactured and inspected according to generally accepted practices of companies manufacturing industrial or aerospace fasteners. In the event of any breach of the foregoing warranty, Buyer's sole remedy shall be to return defective goods (after receiving authorization from Seller) for replacement or refund of the purchase price, at the Seller's option. Seller agrees to any freight costs in connection with the return of any defective goods, but any costs relating to removal of the defective or nonconforming goods or installation of replacement goods shall be Buyer's responsibility. SELLER'S WARRANTY DOES NOT APPLY WHEN ANY PHYSICAL OR CHEMICAL CHANGE IN THE FORM OF THE PRODUCT IS MADE BY BUYER. THE FOREGOING EXPRESS WARRANTY AND REMEDY ARE EXCLUSIVE AND ARE IN LIEU OF ALL OTHER WARRANTIES AND REMEDIES; ANY IMPLIED WARRANTY AS TO QUALITY, FITNESS FOR PURPOSE, OR MERCHANTABILITY IS HEREBY SPECIFICALLY DISCLAIMED AND EXCLUDED BY SELLER. This warranty is void if seller is not notified in writing of any rejection of the goods within ninety (90) days after receipt of the goods by buyer.

Seller shall not be liable under any circumstances for incidental, special or consequential damages arising in whole or in part from any breach by Seller, AND SUCH INCIDENTAL, SPECIAL, OR CONSEQUENTIAL DAMAGES ARE HEREBY EXPRESSLY EXCLUDED.

Our policy is one of continuous development. Specifications shown in this document may be subject to changes introduced after publication.

NOTE: The properties, strength, dimensions, installed characteristics and all other information in these materials are for guidance only to aid in the correct selection of the products described herein and is not intended or implied as part of the above warranty. All applications should be evaluated for functional stability and available samples of the described parts can be requested for installed tests, suitability and evaluations.

For more information please contact our Technical Services Department at tel. 714-850-6022



**CHERRY®**  
**AEROSPACE**  
SPS Fastener Division, a PCC Company

1224 East Warner Ave,  
Santa Ana, CA 92705  
Tel: 1-714-850-6022  
www.cherryaerospace.com