

H562B LockBolt Offset Head Assembly



CHERRY®
AEROSPACE

1224 East Warner Ave,
Santa Ana, Ca 92705
Tel: 1-714-545-5511
Fax: 1-714-850-6093
www.cherryaerospace.com

Notes:

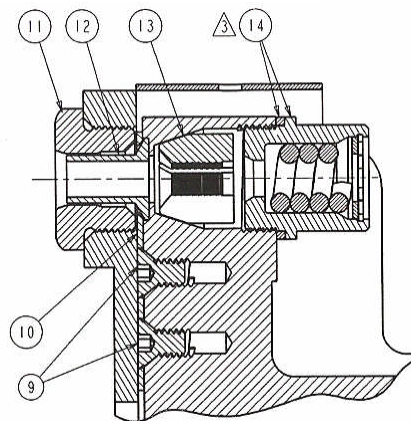
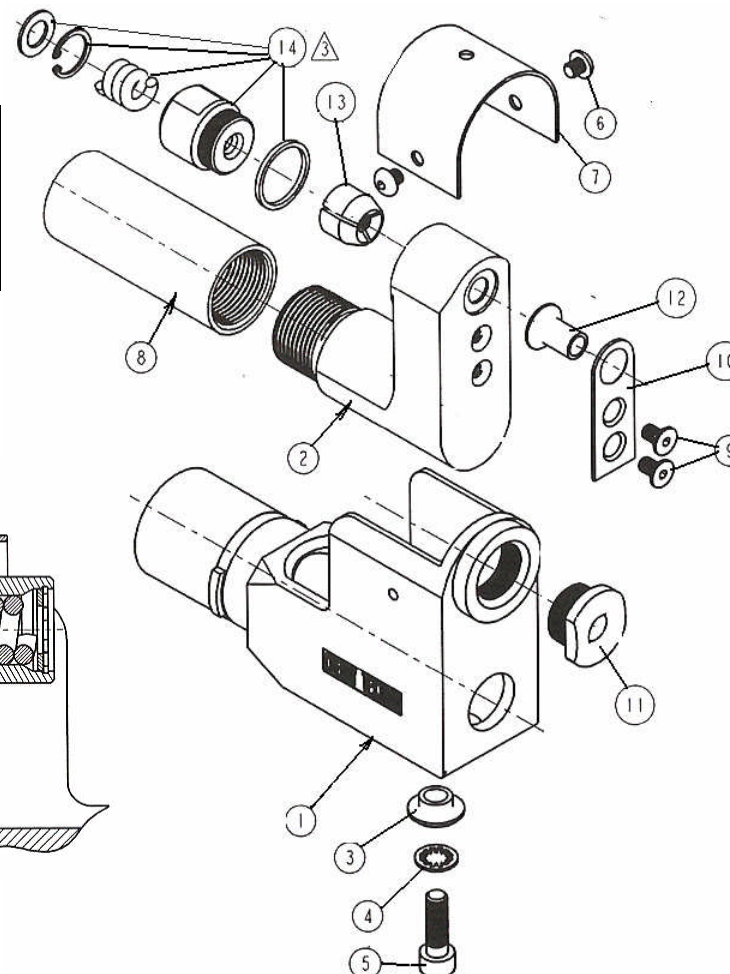
1. This pulling head attaches directly to the CHERRY® G87D.
2. Secure threaded connections with Loctite® No. 242.
3. When assembling the 562B3 drawbolt (Item 2) and the snubber (14), use accompanying alternate 562A27-2 washer only if jaws cannot open sufficiently to allow spent pintail to pass through.
4. Spacer (3) must be secured tightly with screw (5) and fit so as to permit free sliding movement of the drawbolt. The spacer must also hold the ejector sleeve (12) in alignment with swaging anvil (11).

Parts List

14	1	SNUBBER	SEE TABLE
13	1 SET	JAWS	SEE TABLE
12	1	SLEEVE, EJECTOR	SEE TABLE
11	1	ANVIL	SEE TABLE
10	1	562A9	SPRING, RETAINING
9	2	P-240	SCREW, FLAT HD SOC
8	1	562A4	EXTENSION, DRAWBOLT
7	1	562A8	GUARD
6	2	563A10	SCREW, BUTTON HEAD
5	1	P-265	SCREW, SOC HD CAP
4	1	P-97	LOCKWASHER
3	1	562A11	SPACER
2	1	562B3	DRAWBOLT
1	1	562B2	SLEEVE
ITEM NO.	REQ.	PART NUMBER AND DESCRIPTION	

Snubber Assembly

REF NO.	ASSEMBLY PART NO.	
	H562-6B	H562-8B
-14	562B25-6	562B25-8
-13	562C28	562C30
-12	562A10-6	562A10-8
-11	562A6-6	562A6-8



WARRANTY

Seller warrants the goods conform to applicable specifications and drawings and will be manufactured and inspected according to generally accepted practices of companies manufacturing industrial or aerospace fasteners. In the event of any breach of the foregoing warranty, Buyer's sole remedy shall be to return defective goods (after receiving authorization from Seller) for replacement or refund of the purchase price, at the Seller's option. Seller agrees to any freight costs in connection with the return of any defective goods, but any costs relating to removal of the defective or nonconforming goods or installation of replacement goods shall be Buyer's responsibility. SELLER'S WARRANTY DOES NOT APPLY WHEN ANY PHYSICAL OR CHEMICAL CHANGE IN THE FORM OF THE PRODUCT IS MADE BY BUYER. THE FOREGOING EXPRESS WARRANTY AND REMEDY ARE EXCLUSIVE AND ARE IN LIEU OF ALL OTHER WARRANTIES AND REMEDIES; ANY IMPLIED WARRANTY AS TO QUALITY, FITNESS FOR PURPOSE, OR MERCHANTABILITY IS HEREBY SPECIFICALLY DISCLAIMED AND EXCLUDED BY SELLER. This warranty is void if seller is not notified in writing of any rejection of the goods within ninety (90) days after receipt of the goods by buyer. Seller shall not be liable under any circumstances for incidental, special or consequential damages arising in whole or in part from any breach by Seller, AND SUCH INCIDENTAL, SPECIAL, OR CONSEQUENTIAL DAMAGES ARE HEREBY EXPRESSLY EXCLUDED.

Our policy is one of continuous development. Specifications shown in this document may be subject to changes introduced after publication.

NOTE: The properties, strength, dimensions, installed characteristics and all other information in these materials are for guidance only to aid in the correct selection of the products described herein and is not intended or implied as part of the above warranty. All applications should be evaluated for functional stability and available samples of the described parts can be requested for installed tests, suitability and evaluations.

For more information please contact our Technical Services Department at tel. 714-850-6022

Loctite® 630-A is a registered trademark of Henkel Corporation
Lubriplate® is a registered trademark of Fiske Brothers Refining Co.