

H513-04-20

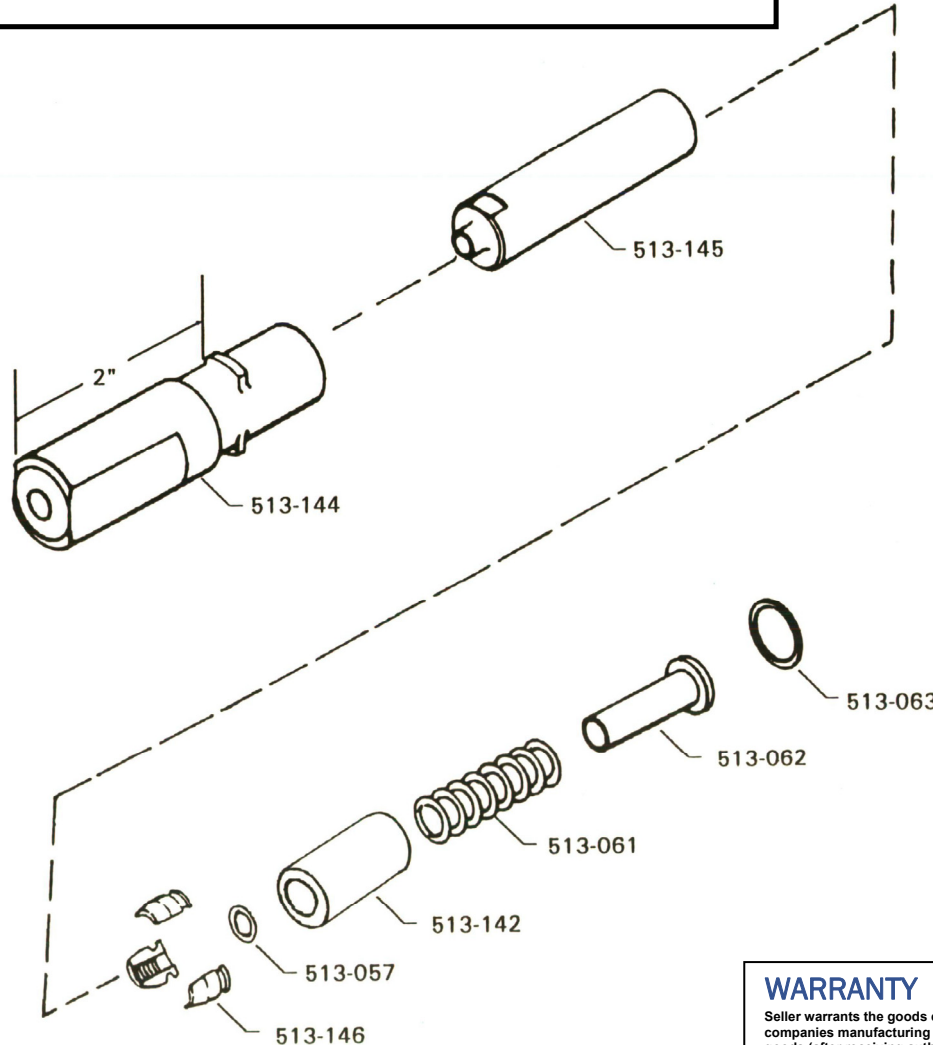
(1/8" x 2") Short Pintail Nose Assembly



**CHERRY®**  
**AEROSPACE**

SPS Fastener Division, a PCC Company

1224 East Warner Ave., Box 2157  
Santa Ana, CA 92705-0157  
(714) 545-5511 FAX (714) 850-6093  
www.cherryaerospace.com



PART NO.	QTY	DESCRIPTION
513-057	1	CHUCK JAW O-RING
513-061	1	SPRING
513-062	1	SLEEVE
513-063	1	SHIM
513-142	1	JAW FOLLOWER
513-144	1	ANVIL
513-145	1	CHUCK COLLET
513-146	1 set	CHUCK JAWS, 1/8" (3 PER SET)

FOR USE ON CHERRY G83  
AND HUCK 230, 352.

REQUIRES PART NO. 552  
ADAPTER WHEN USED ON  
CHERRY G85D AND G87D

**WARRANTY**

Seller warrants the goods conform to applicable specifications and drawings and will be manufactured and inspected according to generally accepted practices of companies manufacturing industrial or aerospace fasteners. In the event of any breach of the foregoing warranty, Buyer's sole remedy shall be to return defective goods (after receiving authorization from Seller) for replacement or refund of the purchase price, at the Seller's option. Seller agrees to any freight costs in connection with the return of any defective goods, but any costs relating to removal of the defective or nonconforming goods or installation of replacement goods shall be Buyer's responsibility. SELLER'S WARRANTY DOES NOT APPLY WHEN ANY PHYSICAL OR CHEMICAL CHANGE IN THE FORM OF THE PRODUCT IS MADE BY BUYER. THE FOREGOING EXPRESS WARRANTY AND REMEDY ARE EXCLUSIVE AND ARE IN LIEU OF ALL OTHER WARRANTIES AND REMEDIES; ANY IMPLIED WARRANTY AS TO QUALITY, FITNESS FOR PURPOSE, OR MERCHANTABILITY IS HEREBY SPECIFICALLY DISCLAIMED AND EXCLUDED BY SELLER. This warranty is void if seller is not notified in writing of any rejection of the goods within ninety (90) days after receipt of the goods by buyer.

Seller shall not be liable under any circumstances for incidental, special or consequential damages arising in whole or in part from any breach by Seller, AND SUCH INCIDENTAL, SPECIAL, OR CONSEQUENTIAL DAMAGES ARE HEREBY EXPRESSLY EXCLUDED.

Our policy is one of continuous development. Specifications shown in this document may be subject to changes introduced after publication.

NOTE: The properties, strength, dimensions, installed characteristics and all other information in these materials are for guidance only to aid in the correct selection of the products described herein and is not intended or implied as part of the above warranty. All applications should be evaluated for functional stability and available samples of the described parts can be requested for installed tests, suitability and evaluations.

Loctite® 630-A is a registered trademark of Henkel Corporation  
Lubriplate® is a registered trademark of Fiske Brothers Refining Co.

For more information please contact our Technical Services Department at tel. 714-850-6022