

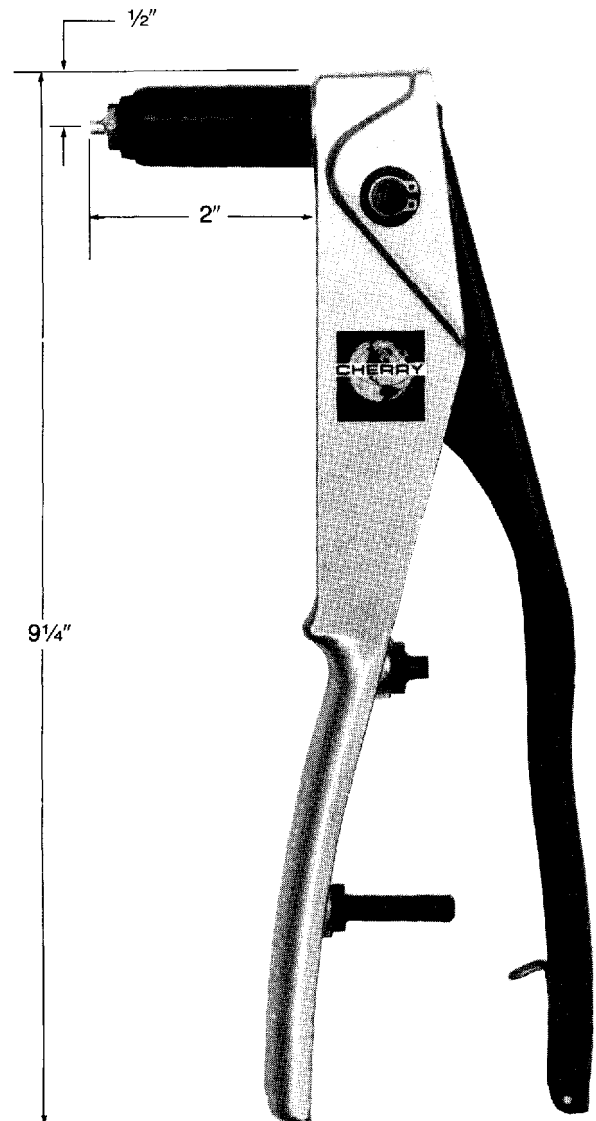
G-29

Hand Riveter

The Cherry® G-29 Hand Riveter is an efficient, compact, lightweight tool for installing Cherry® nut-plate rivets. It comes equipped with a 728A9-3 nosepiece to install 3/32" rivets and has a 728A9-104 nosepiece stored in the handle for installing 1/8" rivets.

The G-29 Riveter is 9¹/₄" long, weighs just 13 ounces and is intended for use where access or power limitations prevent the use of Cherry power tools.

To operate, first insert rivet stem into nosepiece. Insert rivet into work with riveter nosepiece held firmly and squarely against the head of the rivet. Maintain a steady pressure against rivet head and squeeze the handles to install the rivet. An additional stroke may be necessary depending on the rivet length and the thickness of the material being joined.

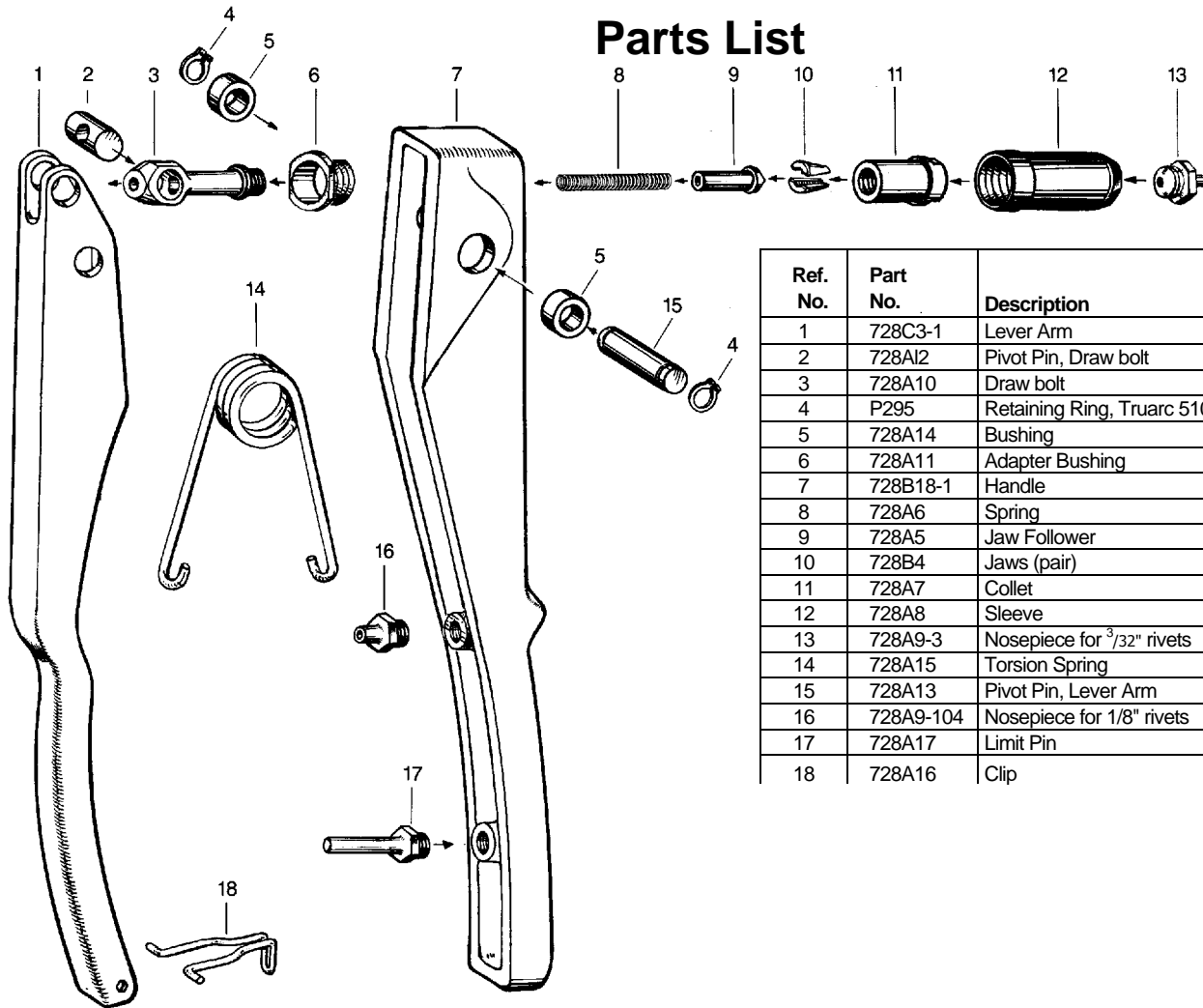


CHERRY®
AEROSPACE

1224 East Warner Ave,
Santa Ana, CA 92705
Tel: 1-714-545-5511
Fax: 1-714-850-6093
www.cherryaerospace.com

G-29

Parts List



Ref. No.	Part No.	Description	Qty Req
1	728C3-1	Lever Arm	1
2	728A12	Pivot Pin, Draw bolt	1
3	728A10	Draw bolt	1
4	P295	Retaining Ring, Truarc 5100-31	2
5	728A14	Bushing	2
6	728A11	Adapter Bushing	1
7	728B18-1	Handle	1
8	728A6	Spring	1
9	728A5	Jaw Follower	1
10	728B4	Jaws (pair)	1
11	728A7	Collet	1
12	728A8	Sleeve	1
13	728A9-3	Nosepiece for ³ / ₃₂ " rivets	1
14	728A15	Torsion Spring	1
15	728A13	Pivot Pin, Lever Arm	1
16	728A9-104	Nosepiece for 1/8" rivets	1
17	728A17	Limit Pin	1
18	728A16	Clip	1

WARRANTY

Seller warrants the goods conform to applicable specifications and drawings and will be manufactured and inspected according to generally accepted practices of companies manufacturing industrial or aerospace fasteners. In the event of any breach of the foregoing warranty, Buyer's sole remedy shall be to return defective goods (after receiving authorization from Seller) for replacement or refund of the purchase price, at the Seller's option. Seller agrees to any freight costs in connection with the return of any defective goods, but any costs relating to removal of the defective or nonconforming goods or installation of replacement goods shall be Buyer's responsibility. SELLER'S WARRANTY DOES NOT APPLY WHEN ANY PHYSICAL OR CHEMICAL CHANGE IN THE FORM OF THE PRODUCT IS MADE BY BUYER.

THE FOREGOING EXPRESS WARRANTY AND REMEDY ARE EXCLUSIVE AND ARE IN LIEU OF ALL OTHER WARRANTIES AND REMEDIES; ANY IMPLIED WARRANTY AS TO QUALITY, FITNESS FOR PURPOSE, OR MERCHANTABILITY IS HEREBY SPECIFICALLY DISCLAIMED AND EXCLUDED BY SELLER. THIS WARRANTY IS VOID IF SELLER IS NOT NOTIFIED IN WRITING OF ANY REJECTION OF THE GOODS WITHIN ONE (1) YEAR AFTER INITIAL USE BY BUYER OF ANY POWER RIVETER OR NINETY (90) DAYS AFTER INITIAL USE OF ANY OTHER PRODUCT.

Seller shall not be liable under any circumstances for incidental, special or consequential damages arising in whole or in part from any breach by Seller, AND SUCH INCIDENTAL, SPECIAL, OR CONSEQUENTIAL DAMAGES ARE HEREBY EXPRESSLY EXCLUDED.

For more information please contact our Technical Services Department at Tel. 714-850-6022



CHERRY[®]
AEROSPACE

© 2007 Cherry Aerospace

Supplier's Federal Identification Code: 11815

1224 East Warner Ave,
Santa Ana, CA 92705
Tel: 1-714-545-5511
Fax: 1-714-850-6093
www.cherryaerospace.com

TM-G29
Rev.: B
Date: 10/12/07
DCR# 07-0376